

Contact Information For Overseas Sales Agentship

It is time for Ondol to seize the world's attention.
Hoya ondol is being exported to countries such as North America, Asia, Europe and etc.
introducing Korea's unique and innovative heating system.

[HEADQUARTERS]

937, Oehang-ro, Gunsan-si, Jeollabuk-do, Republic of Korea
Tel : +82-63-467-9800 | FAX : +82-63-467-9801

[WESTERN U.S. DISTRIBUTOR]

4990 Brewster Ave, San Jose, CA 95124

[CENTRAL EUROPE DISTRIBUTOR]

40-085 Katowice, ul. Mickiewicza 29, Poland

[EASTERN CANADA DISTRIBUTOR]

25 Kenaston Gardens, Toronto, ON, M2K 1G7

[OFFICE IN SEOUL]

2F, 7, Seoun-ro, Seocho-gu, Seoul, Republic of Korea
TEL : +82-2-539-7411 | FAX : +82-2-539-7449

[JAPAN LOCAL CORPORATION]

Office room 102, 1-12-11 Iguchido Ikeda-shi, Osaka

[AUSTRALIAN DISTRIBUTOR]

Hoya Ondol Australia
35 Brolga Street, Mount Gambier, SA 5290
Ph. 1300137 407
sales@hoyaondol.com.au
www.hoyaondol.com.au



Korean Traditional
Underfloor Heating System



HOYA ONDOL

New Eco-friendly Composites
Hybrid Ondol Panel

www.hoyaondol.com.au

Contact Us



1300 137 407

sales@hoyaondol.com.au



www.hoyaondol.com.au



[Gunsan Factory 1]



[Gunsan Factory 2]

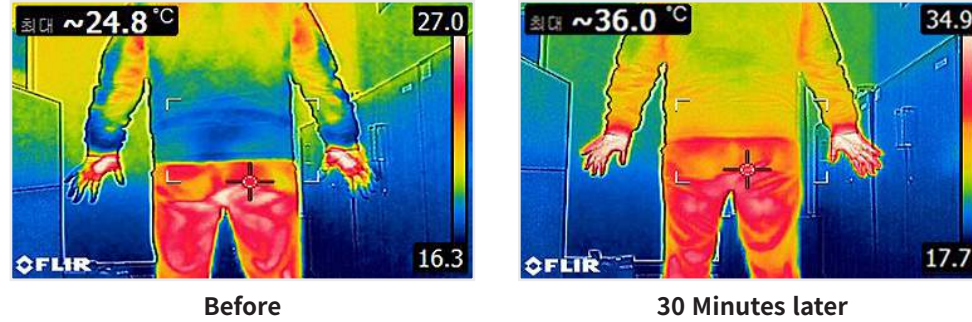


YouTube "HOYA ONDOL"

NAVER HOYA ONDOL

Emission of Far-infrared Ray

Emission of Far-infrared Ray for Good Health



* According to Hoya Ondol's testing, differences may occur depending on the experimental environment.

Germanium Emission

Use of Raw Materials Proven Effective for Atopic Dermatitis



* Dosung Co., Ltd. Ge-Lite research results

Heating Cost Savings

Reduced Heating Costs from High Thermal Conductivity

	Wet Floor Plaster	HOYA ONDOL
Electric energy per unit area.	240 W/m ²	109 W/m ²
	55% reduction in power per unit area compared to wet floor plaster.	
Heat transfer rate	58 W/m ² ·K	273 W/m ² ·K
	Heat transfer rate approximately 5 times higher than wet floor plaster.	
Heat usage	36.4KJ/m ²	14.4KJ/m ²
	Energy efficiency is more than twice as good as wet floor plaster.	

※ When the supply water temperature is 60°C, the time to reach the air temperature (target temperature) at a height of 1.5m from the floor and the amount of heat input are measured.
 ※ Research results of Kunsan National University in 2023

Installation Sites



Apartments



Wooden House



Residential House



Accommodation Building



Kindergarten



Classroom



Shop and Office



Religious Facilities



KORAIL Railway Sleeper Train



Hospital



Resort



Subway Lounge

- The Best Quality - Certification Test Report



The Key Features



More Comfort

- Cozy and comfortable environment.
- Warm floor & indoor air

Healthy and Safe Living by Far Infrared Radiation

- A long way in terms of therapeutic and medical effects on the human body.

Reduced Heating Bills

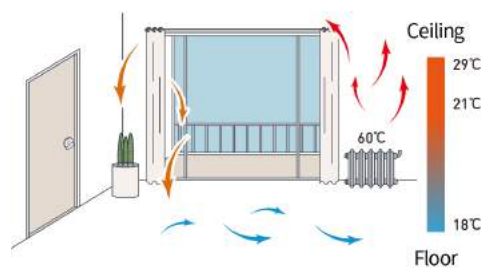
- HOYA ONDOL can reduce energy consumption and heating costs.

Greater Heating Control

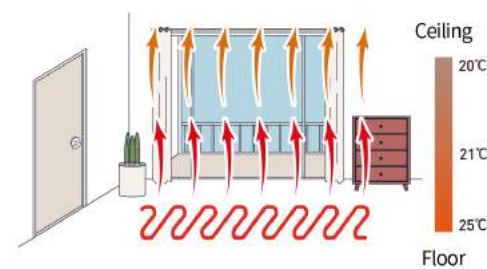
- Individual or multi-room temperature control.

More Living Space

- Spacious room because heat source is under floor.



Radiators
Forced Air Heating



HOYA ONDOL
Radiant Floor Heating

Korean Traditional Heating System New Eco-friendly Composites Hybrid Ondol Panel



Eco-friendly
Certified Product



New Carbon
Composite Material



Easy and Simple
Installation



High Strength
for Heavy Furniture

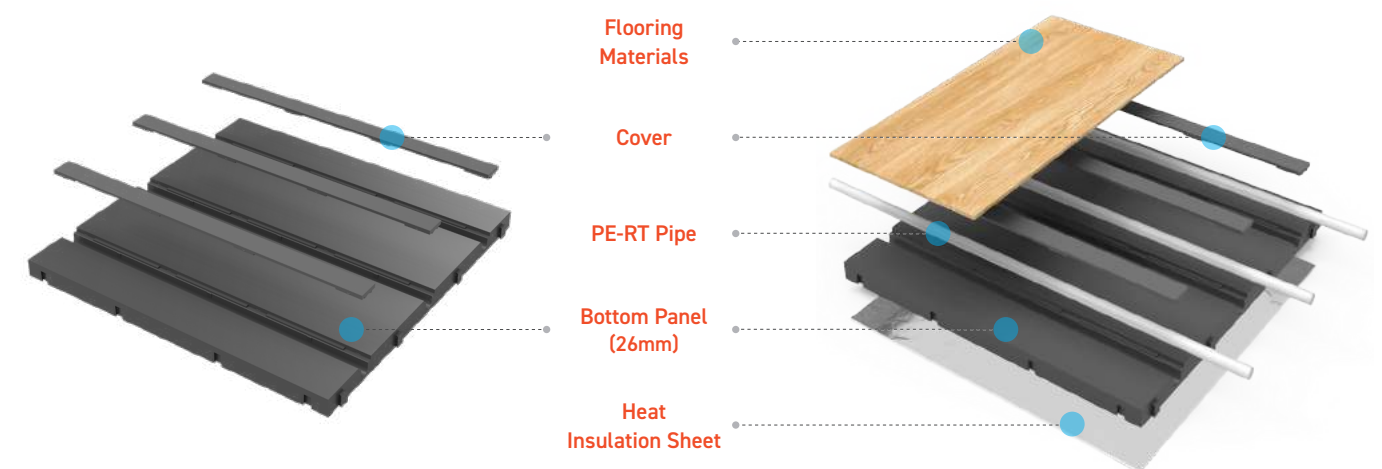


DIY Assembly
and Easy Storage



Energy
Savings & Safe

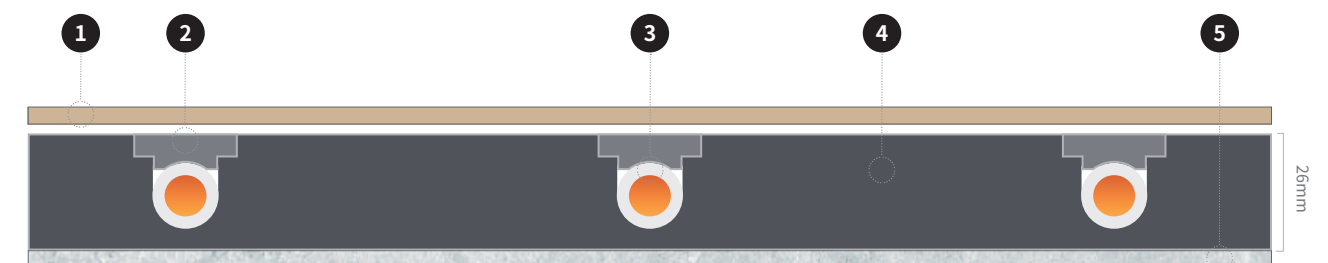
Type A (Linear)



• TYPE A (Panel+Cover)

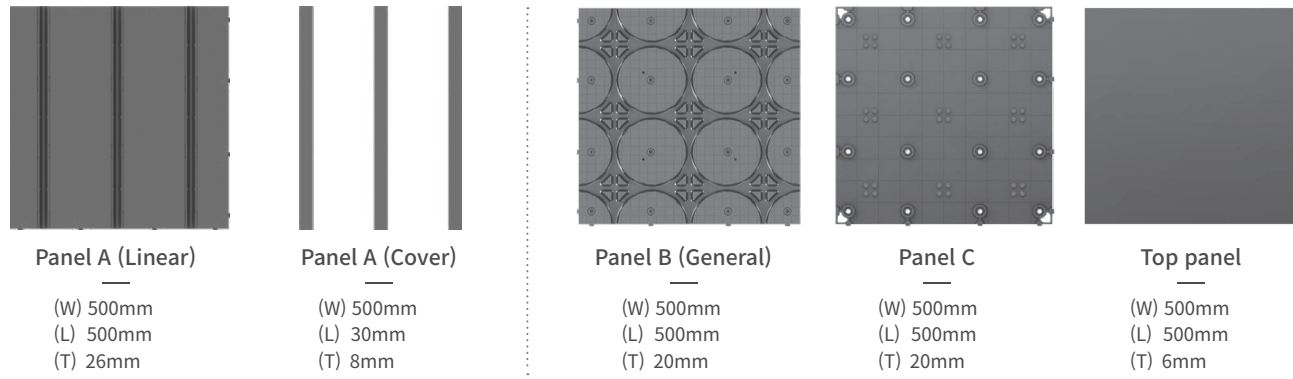
• Pictorial Drawing

Specificaion

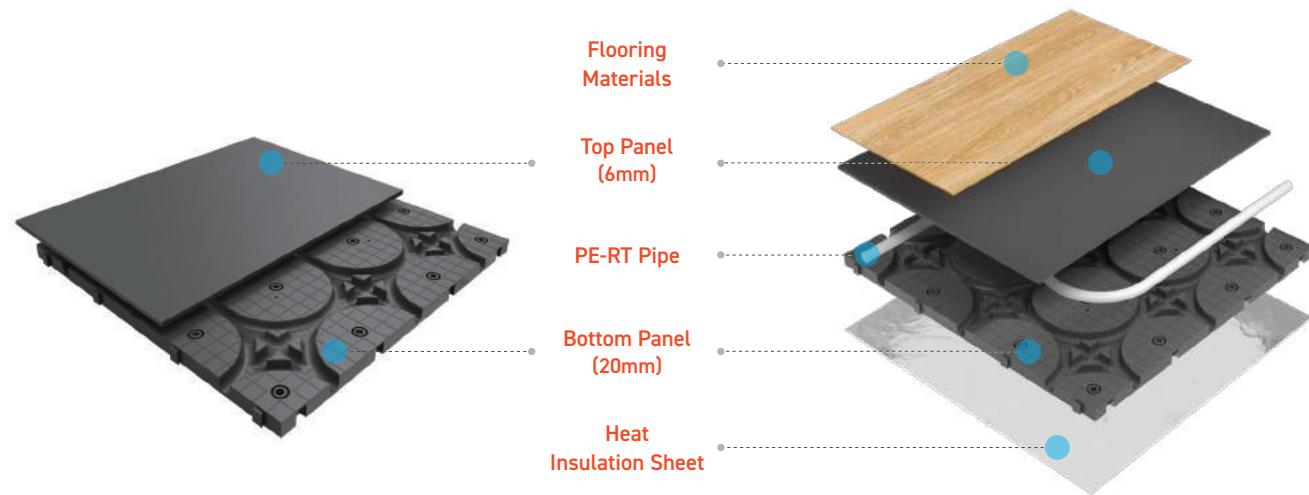


① Flooring Materials		-	SPC, PVC, Laminate Flooring
② Cover		-	-
③ PE-RT Pipe		D(out) 16mm, D(in) 12mm	PE-RT
④ Bottom Panel		26mm	-
⑤ Heat Insulation Sheet		1.7mm	-

Types of HOYA ONDOL PANEL



Type B (General)



Specificaion

①	②	③	④	⑤
1 Flooring Materials		-	SPC, PVC, Laminate Flooring	
2 Top Panel		6mm	-	
3 PE-RT Pipe		D(out) 16mm, D(in) 12mm	PE-RT	
4 Bottom Panel		20mm	-	
5 Heat Insulation Sheet		1.7mm	-	

Advanced Manufacturing Systems



Applicable Area

Residential	Houses, Town houses, Steel houses, Mobile houses, Modular houses, Apartment building
Commercial · Business	Office space, shops, gyms, billiard halls, golf practice areas, Restaurants and cafes
Public Facilities	Local community center, Health center, Public libraries, Museums, Railway facilities
Leisure Facilities	Pension, Condos and Resort, Hotels, Dormitories
Religious Facilities	Cathedral, Church, Temple
Other Facilities	Military bases, Medical facilities

Installation Procedure

